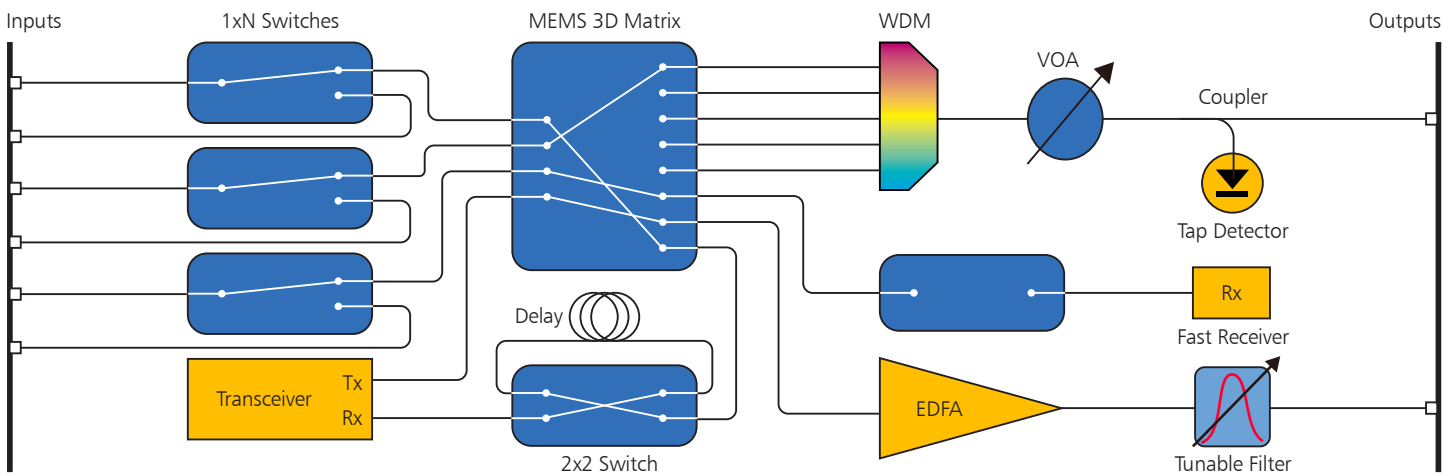


# GP800 GENERAL PURPOSE CONFIGURABLE RACKMOUNT SYSTEM

DiCon's GP800 is a flexible, compact rackmount system that can be built with any combination of fiber optic device, such as Optical Switches, WDMs, VOAs, Tap Detectors, Transceivers, Delays, EDFAs, Fast Receivers, Tunable Filters, etc. Control is simple through a single interface and unified command sets. The GP800 is the next generation of DiCon's popular GP600 which has been used in applications ranging from optical component testing to quantum computing to photon doppler velocimetry (PDV).



## FEATURES

- Control via a single interface
- Expertly built-to-order
- Available in custom configurations

## APPLICATIONS

- Test & Measurement
- Fiber Monitoring
- Commercial & Defense Networks



1689 Regatta Blvd.  
Richmond, CA 94804  
(510) 620-5200  
[www.diconfiberoptics.com](http://www.diconfiberoptics.com)

**Commercial Business**  
[sales@diconfiberoptics.com](mailto:sales@diconfiberoptics.com)  
**US Government Business**  
[sales@diconusa.com](mailto:sales@diconusa.com)

# GP800 GENERAL PURPOSE RACKMOUNT

## OPTICAL SPECIFICATIONS

PARAMETER	RATING
Optical devices	Switch, VOA, tunable filter, WDM, detector, transceiver, optical amplifier, laser, fiber delay, and more
Operating wavelength (nm)	780 – 2300, other
Fiber type	9/125 um Single-mode

## CHASSIS SPECIFICATIONS

PARAMETER	RATING
Control Interfaces	Dual Gigabit Ethernet (RJ45 Female) RS-232 (DB9 Female)
Power Supply (Voltage AC)	90 – 265
Software Interface	REST API, Web GUI, Serial
Chassis Dimensions (mm/WxHxD) <sup>1</sup>	1U: 483 x 44 x 400 2U: 483 x 88 x 435 3U: 483 x 132 x 435 4U: 483 x 177 x 435 Benchtop: 210 x 88 x 250 Custom dimensions available
Operating temperature (°C)	0 to 50
Storage temperature (°C)	-20 to 60
Environment Relative Humidity (%)	0 to 80 non-condensing
Fiber connectors	LC, FC, MTP, other

1. Custom dimensions available, may depend on optical connectors and integrated devices

\* Please contact DiCon Fiberoptics to discuss any special requirements not defined above.